

Mounting instruction

Reception element OBX



Adjustment in three dimensions:

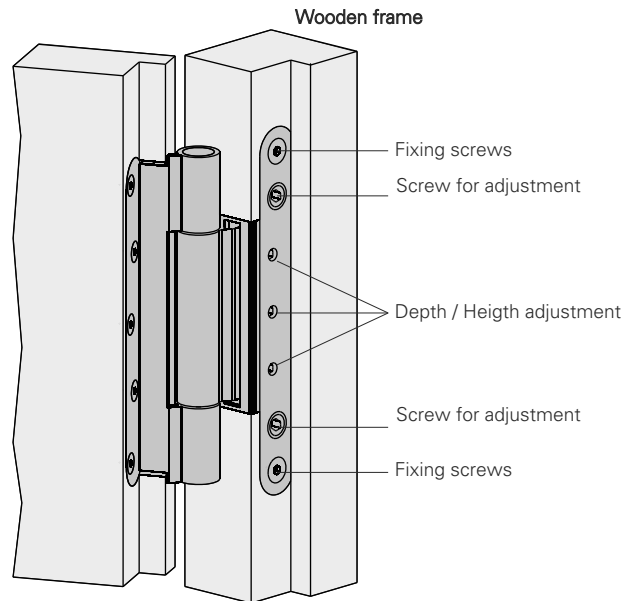
- Side +/- 3mm
- Height +/- 3mm
- Depth +/- 3mm

Side adjustment:

- Open door and turn the adjustment screws in respective direction
- Adjust both screws equally in order to avoid tension on the hinge axis.

Depth / Height adjustment:

- Open door and fix it with a key
- Loosen the three screws of each reception element slightly
- Move door in right position
- Fasten the screws and remove the keys



The certification for the constancy of performance can be found on our website www.eco-schulte.de

Declaration of performance according to Regulation (EU) No 305/2011 see <http://www.eco-schulte.de/declarationofperformance>

■ SYSTEM TECHNOLOGY FOR THE DOOR