

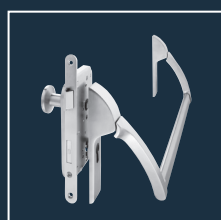
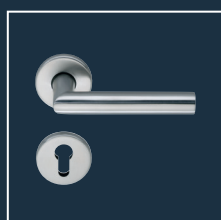
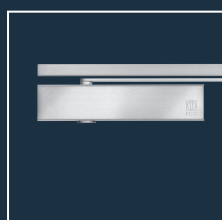


# ECO D-310 Combined security handle

Product information



## ■ SYSTEM TECHNOLOGY FOR THE DOOR



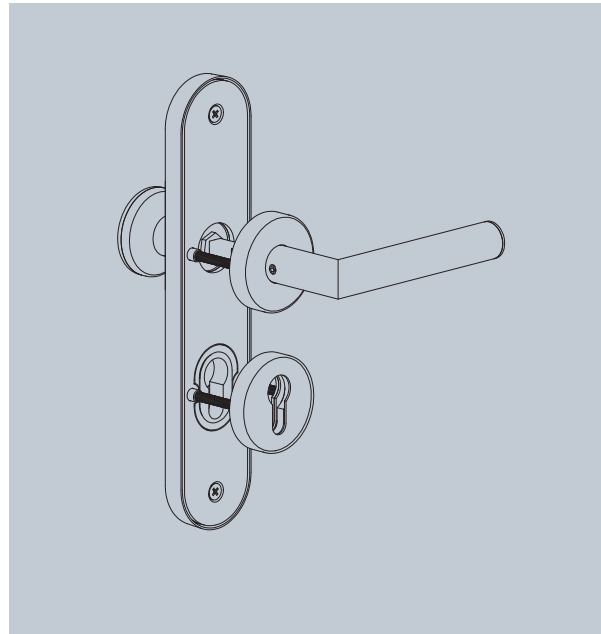
**Product characteristics**

Tested acc. to	<b>EN 1906</b>
With 9 mm spindle acc. to DIN 18273 fire protection tested	<b>F</b>
Tested acc. to	<b>DIN 18 257</b>
Fixable bearing	■
Steel base in inner rose and outer plate	■
Concealed continuous screw connection	■
Inside with lever / OGL <b>Click</b>	■
DIN left / right	■
With or without return spring	A
Suitable for resistance class <b>RC 2</b>	■

Classification key EN 1906

4	7	-	B1/D1	1	4	2	A
---	---	---	-------	---	---	---	---

■ Yes - No □ Option



Material:

**ER** ER  
Stainless steel

**Al** Al  
Aluminium

Bearing technology:

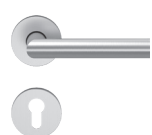


**PRODUCT FAMILY D-300**

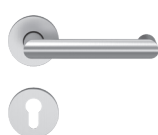
**Standard handle**

**Oval rose handle**

**Window handle**



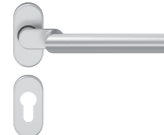
D-310



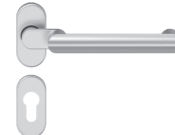
D-330



D-310



D-315



D-335



F-310

**Long- / short plate handle**

**Combined security handle**



D-330



D-330



D-310



D-310



D-315

# D-310 Combined security handle ES 1



## D-310 Combined security handle ES 1 with OGL Click


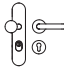
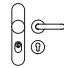
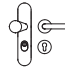

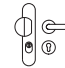
- Fixable (through ECO OGL Click-System) in maintenance-free friction bearing
- Approved for fire protection
- Burglary resistance class ES 1
- Suitable for resistance class RC 2
- Available with knobs K-130, K-160, K-165 and grip plates G-150, G-160, G-180
- Spring system A and U (A = With spring support / U = Without spring support)
- High-strength pin connection (grooved spindle with stamping grub screw)
- Permanent function class 4

### OGL – COMBINED SECURITY HANDLE



F = 4 7 - B1 1 4 2 A




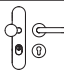
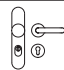
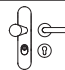

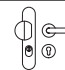
				Security handle ZA/ Round rose handle PZ					
				K-130/D-310	K-160/D-310	K-165/D-310	G-150/D-310	G-160/D-310	G-180/D-310
	∅	Distance	▣						
S	21 mm	72 mm	8 mm	5030048764	5030048765	5030048766	5030048767	5030048770	5030048772
F	21 mm	72 mm	9 mm	5030048773	5030048774	5030048775	5030048776	5030048777	5030048783

Finish: Stainless steel satin brushed, further colours on request



F = 4 7 - D1 1 4 2 A



				Security handle ZA/Round rose handle PZ					
				K-130/D-310	K-160/D-310	K-165/D-310	G-150/D-310	G-160/D-310	G-180/D-310
	∅	Distance	▣						
S	22 mm	72 mm	8 mm	5030048827	5030048828	5030048829	5030048830	5030048831	5030048832
F	22 mm	72 mm	9 mm	5030048834	5030048835	5030048836	5030048837	5030048838	5030048839

Finish: Aluminium anodized F1, further colours and executions on request

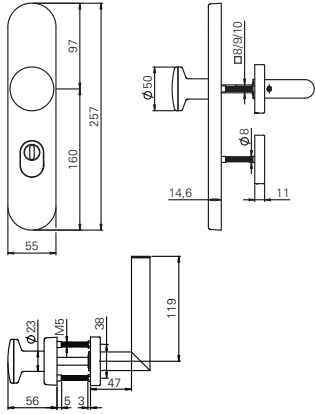
The execution ZA is designed for cylinder projections of 10 – 15 mm.

S Standard handle for door thicknesses: 38 – 45 mm. F Fire protection doors and A Panic doors for door thicknesses: 40 – 65 mm. Please advise door thickness when ordering

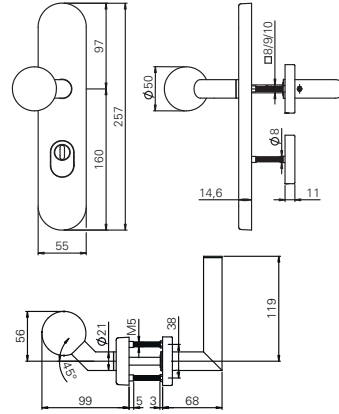
# D-310 Combined security handle ES 1

## Knobs

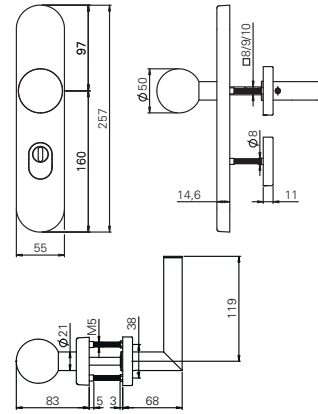
K-130 / D-310



K-160 / D-310

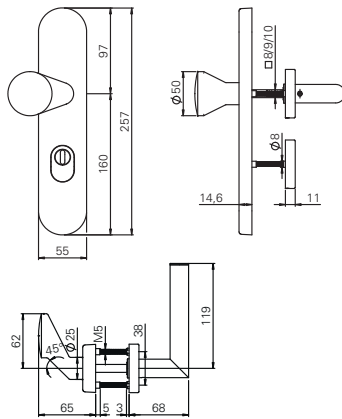


K-165 / D-310

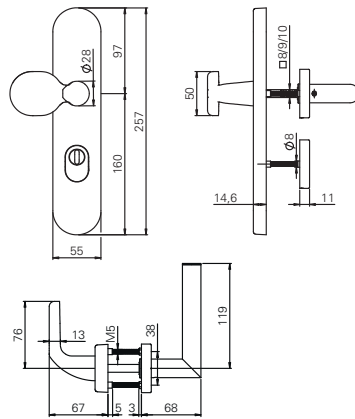


## Grip plates

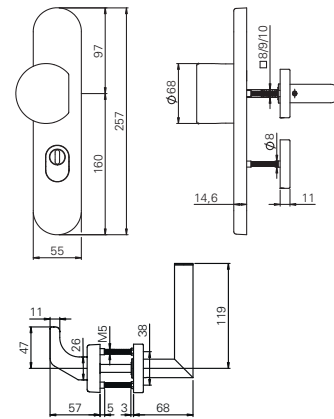
G-150 / D-310



G-160 / D-310



G-180 / D-310



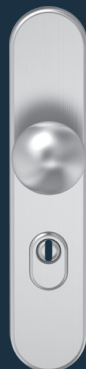
## Knobs



ES 1 Long plate  
ZA / K-130



ES 1 Long plate  
ZA / K-160



ES 1 Long plate  
ZA / K-165

## Grip plates



ES 1 Long plate  
ZA / G-150



ES 1 Long plate  
ZA / G-160



ES 1 Long plate  
ZA / G-180

ECO Schulte GmbH & Co. KG  
Iserlohner Landstraße 89  
D - 58706 Menden

Telefon: +49 2373/9276-0  
Fax: +49 2373/9276-40

[info@eco-schulte.de](mailto:info@eco-schulte.de)  
[www.eco-schulte.de](http://www.eco-schulte.de)

© ECO Schulte GmbH & Co. KG - Änderungen vorbehalten  
© ECO Schulte GmbH & Co. KG - Subject to change