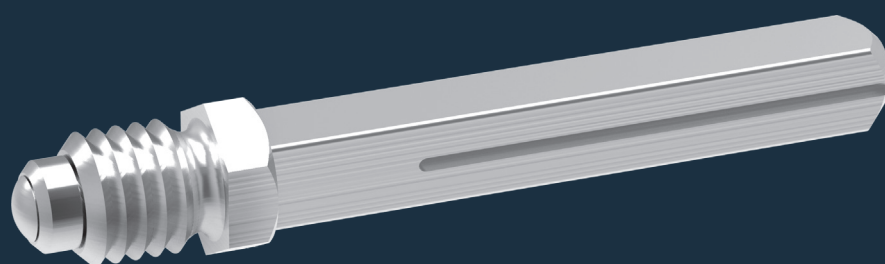


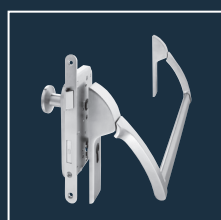
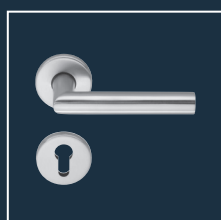


ECO Handle Technology - Accessories

Product information

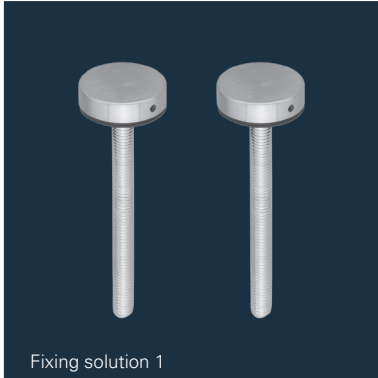


■ SYSTEM TECHNOLOGY FOR THE DOOR





Fixing solutions for push-pull handles



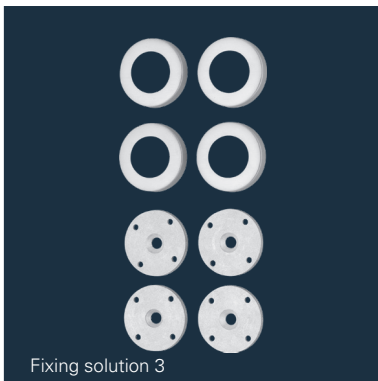
Fixing system for push-pull handles (fixing solution 1)

Single-sided fixing for door thicknesses 50–80 mm.

Fixing system for push-pull handles (fixing solution 2)

Double-sided fixing without rose for door thicknesses 10–40 mm / 40–80 mm.
Invisible screwing, accessory set without illustration.

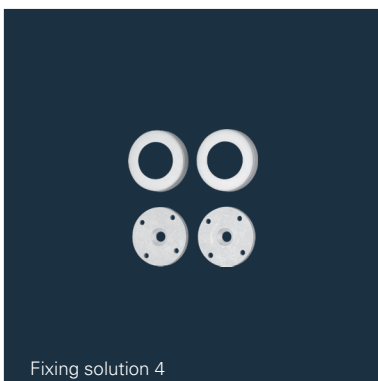
Execution	Fixing solution 1 for push-pull handles	Fixing solution 2 for push-pull handles
Article number	255601	255600



Fixing system for push-pull handles (fixing solution 3)

Double-sided fixing with roses for screw-on fastening.

Execution	Fixing solution 3 for push-pull handles
Article number	255602



Fixing system for push-pull handles (fixing solution 4)

Single-sided fixing with rose.

Execution	Fixing solution 4 for push-pull handles
Article number	255603

Fixing solutions for push-pull handles S-330 / 310 / 316 S-316



Fixing screws for push-pull handles S-330 / S-310 / S-316

Wooden doors
 (2 Screws)
 Winding: 8 mm x 27 mm

Execution	Fixing screws S-330 / S-310 for push-pull handles Wooden doors
Article number	10916252



Fixing screws for push-pull handles S-330 / S-310 / S-316

Steel- and profile frame doors
 (Use pop rivet nut if necessary)

(2 screws)
 Winding: M8 x 25 mm

Execution	Fixing screws S-330 / S-310 for push-pull handles Steel- and profile frame doors
Article number	10916251

Spindles for standard handles



Spindle (8 mm)

For standard handles:

The fixing is carried out by a "set screw-headless with cup point" (DIN 916).

When seizing, the screw pushes on / into the spindle.

Further lengths on request.

Article number	Spindle	Length
900607.43	∅ 8 mm	60 mm
900584.43	∅ 8 mm	90 mm
900591.43	∅ 8 mm	100 mm
900594.43	∅ 8 mm	120 mm
900601.43	∅ 8 mm	140 mm

Spindle (8,5 mm) Ö-Norm

For standard handles:

The fixing is carried out by a "set screw-headless with cup point" (DIN 916).

When seizing, the screw pushes on / into the spindle.

Further lengths on request.

Article number	Spindle	Length
900744.43	∅ 8,5 mm	110 mm
900745.43	∅ 8,5 mm	125 mm
900746.43	∅ 8,5 mm	137 mm

Spindle (9 mm)

For standard handles, fire proof:

The fixing is carried out by a "set screw-headless with cup point" (DIN 916).

When seizing, the screw pushes on / into the spindle.

Further lengths on request.



Article number	Spindle	Length
900511.43	∅ 9 mm	60 mm
900571.43	∅ 9 mm	70 mm
900577.43	∅ 9 mm	100 mm
900581.43	∅ 9 mm	125 mm
900551.43	∅ 9 mm	140 mm

Spindle (10 mm)

For standard handles:

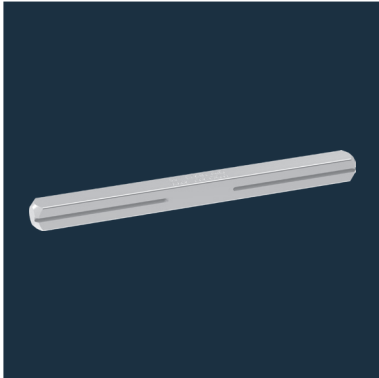
The fixing is carried out by a "set screw-headless with cup point" (DIN 916).

When seizing, the screw pushes on / into the spindle.

Further lengths on request.

Article number	Spindle	Length
901040.43	∅ 10 mm	113 mm
901041.43	∅ 10 mm	120 mm
901042.43	∅ 10 mm	125 mm
901043.43	∅ 10 mm	130 mm
901044.43	∅ 10 mm	145 mm

Grooved spindles



Grooved spindle (8 mm)

For a high-strength connection (spindle / lever) for door handles.
The fixing is carried out by a "set screw-headless with punch".
Here the punch cuts into the groove. Positioning necessary!



Further lengths on request.

Article number	Spindle	Length
1317408143	∅ 8 mm	55
1317408543	∅ 8 mm	65
1317408343	∅ 8 mm	70
1317408943	∅ 8 mm	75
1317408743	∅ 8 mm	80
1317409143	∅ 8 mm	90
1317409343	∅ 8 mm	100
1317403543	∅ 8 mm	115
1317409443	∅ 8 mm	120
1317403743	∅ 8 mm	130
1317404143	∅ 8 mm	135
1317403943	∅ 8 mm	145
1317404343	∅ 8 mm	150
1317404543	∅ 8 mm	155
1317404743	∅ 8 mm	170

Grooved spindle (9 mm)

For a high-strength connection (spindle / lever) for door handles.
The fixing is carried out by a "set screw-headless with punch".
Here the punch cuts into the groove. Positioning necessary!



Further lengths on request.

Article number	Spindle	Length
1317408243	∅ 9 mm	55
1317408643	∅ 9 mm	65
1317408443	∅ 9 mm	70
1317409043	∅ 9 mm	75
1317408843	∅ 9 mm	80
1317409243	∅ 9 mm	90
1317403643	∅ 9 mm	115
1317403843	∅ 9 mm	130
1317404243	∅ 9 mm	135
1317404043	∅ 9 mm	145
1317404443	∅ 9 mm	150
1317404643	∅ 9 mm	155
1317404843	∅ 9 mm	170

Spindle ■ Spreaded spindle



Spreaded spindle (8 mm)

The fixing is carried out by a "set screw-headless with cone point" (DIN 914).
 The cone point enters the slot of the spreaded spindle.
 The spindle is pushed apart. Positioning necessary!
 Further lengths on request.

Article number	Spindle	Length
901006.43	∅ 8 mm	88 mm
900558.43	∅ 8 mm	100 mm
901003.43	∅ 8 mm	110 mm
900610.43	∅ 8 mm	120 mm
908010.43	∅ 8 mm	143 mm

Spreaded spindle (9 mm)

The fixing is carried out by a "set screw-headless with cone point" (DIN 914).
 The cone point enters the slot of the spreaded spindle.
 The spindle is pushed apart. Positioning necessary!
 Further lengths on request.



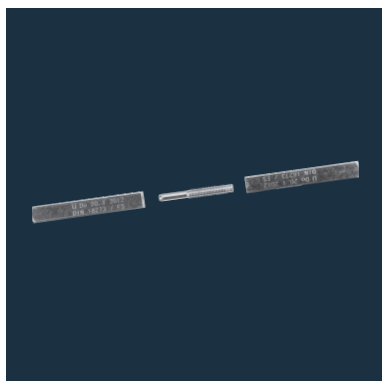
Article number	Spindle	Length
904006.43	∅ 9 mm	90 mm
908017.43	∅ 9 mm	100 mm
900259.43	∅ 9 mm	110 mm
900394.43	∅ 9 mm	120 mm
900565.43	∅ 9 mm	130 mm

Spreaded spindle (10 mm)

The fixing is carried out by a "set screw-headless with cone point" (DIN 914).
 The cone point enters the slot of the spreaded spindle.
 The spindle is pushed apart. Positioning necessary!
 Further lengths on request.

Article number	Spindle	Length
908012.43	∅ 10 mm	100 mm
908003.43	∅ 10 mm	110 mm
908061.43	∅ 10 mm	120 mm
908014.43	∅ 10 mm	130 mm
500186.43	∅ 10 mm	145 mm

Spindle ■ Panic pin



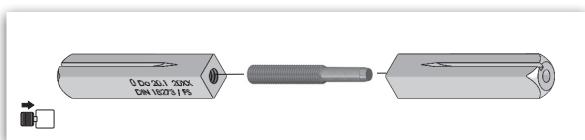
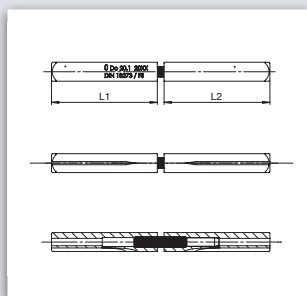
Panic pin set (9 mm) F

For panic door hardware using locks with divided hub.

Further lengths on request.

Set consists of:

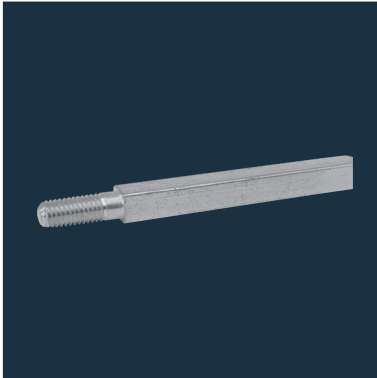
- Panic pin L1
- Panic pin L2
- Connecting screw
- Two threaded pins



Article number	Spindle	Length (L1)	Length (L2)
901800.43	∅ 9 mm	40 mm	50 mm
901801.43	∅ 9 mm	40 mm	55 mm
901802.43	∅ 9 mm	40 mm	60 mm
901803.43	∅ 9 mm	40 mm	65 mm
901804.43	∅ 9 mm	40 mm	70 mm
901805.43	∅ 9 mm	40 mm	75 mm
901806.43	∅ 9 mm	40 mm	80 mm
901807.43	∅ 9 mm	40 mm	85 mm
901808.43	∅ 9 mm	45 mm	50 mm
901809.43	∅ 9 mm	45 mm	55 mm
901810.43	∅ 9 mm	45 mm	60 mm
901811.43	∅ 9 mm	45 mm	65 mm
901812.43	∅ 9 mm	45 mm	70 mm
901813.43	∅ 9 mm	45 mm	75 mm
901814.43	∅ 9 mm	45 mm	80 mm
901815.43	∅ 9 mm	45 mm	85 mm
901816.43	∅ 9 mm	50 mm	50 mm
901817.43	∅ 9 mm	50 mm	55 mm
901818.43	∅ 9 mm	50 mm	60 mm
901819.43	∅ 9 mm	50 mm	65 mm
901820.43	∅ 9 mm	50 mm	70 mm
901821.43	∅ 9 mm	50 mm	75 mm
901822.43	∅ 9 mm	50 mm	80 mm
901823.43	∅ 9 mm	50 mm	85 mm
901824.43	∅ 9 mm	56 mm	55 mm
901825.43	∅ 9 mm	56 mm	60 mm
901826.43	∅ 9 mm	56 mm	65 mm
901827.43	∅ 9 mm	56 mm	70 mm
901828.43	∅ 9 mm	56 mm	75 mm
901829.43	∅ 9 mm	56 mm	80 mm
901830.43	∅ 9 mm	56 mm	85 mm
901831.43	∅ 9 mm	60 mm	60 mm
901832.43	∅ 9 mm	60 mm	65 mm
901833.43	∅ 9 mm	60 mm	70 mm
901834.43	∅ 9 mm	60 mm	75 mm
901835.43	∅ 9 mm	60 mm	80 mm
901836.43	∅ 9 mm	60 mm	85 mm
901837.43	∅ 9 mm	65 mm	65 mm
901838.43	∅ 9 mm	65 mm	70 mm
901839.43	∅ 9 mm	65 mm	75 mm
901840.43	∅ 9 mm	65 mm	80 mm
901841.43	∅ 9 mm	65 mm	85 mm



Spindles ■ Spindles for knob / lever sets



Spindle for knob / lever sets (8 mm)

The spindle is screwed into the grip plate / knob (minimum 8 mm).
Do not tighten too strong since the function of the handle has to be given.
Further lengths on request.

Article number	Spindle	Length
900557.43	∅ 8 mm	65 mm
900680.43	∅ 8 mm	90 mm
900681.43	∅ 8 mm	105 mm
900683.43	∅ 8 mm	120 mm
900684.43	∅ 8 mm	130 mm

Spindle for knob / lever sets (9 mm)

The spindle is screwed into the grip plate / knob (minimum 8 mm).
Do not tighten too strong since the function of the handle has to be given.
Further lengths on request.



Article number	Spindle	Length
900686.43	∅ 9 mm	80 mm
900688.43	∅ 9 mm	90 mm
900689.43	∅ 9 mm	101 mm
900691.43	∅ 9 mm	110 mm
900693.43	∅ 9 mm	125 mm

Spindle for knob / lever sets (10 mm)

The spindle is screwed into the grip plate / knob (minimum 8 mm).
Do not tighten too strong since the function of the handle has to be given.
Further lengths on request.

Article number	Spindle	Length
901048.43	∅ 10 mm	110 mm
901047.43	∅ 10 mm	120 mm

Spindles ■ Grooved spindles for knob / lever sets



Grooved spindle for knob / lever sets (8 mm)

For knob / lever sets with knobs with M12 thread.
The spindle is screwed into the grip plate / knob and is tightened with a wrench SW14. The fixing is carried out by a "set screw-headless with punch". Here the punch cuts into the groove.
Positioning necessary!



Further lengths on request.

Article number	Spindle	Lengths
17406643	∅ 8 mm	75
17407043	∅ 8 mm	80
17407443	∅ 8 mm	85
17407843	∅ 8 mm	105

Grooved spindle for knob / lever sets (9 mm)

For knob / lever sets with knobs with M12 thread.
The spindle is screwed into the grip plate / knob and is tightened with a wrench SW14. The fixing is carried out by a "set screw-headless with punch". Here the punch cuts into the groove.
Positioning necessary!



Further lengths on request.

Article number	Spindle	Lengths
17406743	∅ 9 mm	75
17407143	∅ 9 mm	80
17407543	∅ 9 mm	85
17407943	∅ 9 mm	105

Hook-Spindle



Hook-Spindle

- Galvanized steel
- for one-side drilled doors

Article number	Spindle	Length
1090038243 *	∅ 9 mm	L = 57 mm
109003794300030	∅ 8 mm	L = 60 mm
1090038343 *	∅ 9 mm	L = 65 mm
1090038143 *	∅ 9 mm	L = 75 mm
109003784300030	∅ 8/10 mm	L = 60 mm

* with eccentric bore

Accessories



Pop rivet nut for oval rose counter handles

Article number	Execution
1091050446	Filko-blind rivet nut, Material: 1.4031 Dimensions: M5C/ROKS 2,5



Screw bag-set for short plate handle (K)

Set consists of screws and sleeve nuts for lever - lever (2 screws & 2 sleeve nuts) or lever - knob (2 screws and 1 sleeve nuts)

Article number	Execution
10916050	D/D – Door thickness 38 mm–45 mm
10916000	D/D – Door thickness 40 mm–66 mm
10916051	WSG – Door thickness 38 mm–45 mm
10916001	WSG – Door thickness 40 mm–66 mm



Screw bag-set for roses (ROS)

Set consists of screws and sleeve nuts for lever - lever (4 screws & 4 sleeve nuts) or lever - knob (4 screws and 2 sleeve nuts)

Article number	Execution
10916058	D/D • Door thickness 38 mm–45 mm
10916004	D/D • Door thickness 40 mm–66 mm
10916055	WSG • Door thickness 38 mm–45 mm
10916005	WSG • Door thickness 40 mm–66 mm



Accessorie-set BB-insert

Set consists of BB-insert for PZ hole with key and mounting screw.

Article number	Execution
10913641	Accessory bag KS-BB-insert, key, 84 mm no. 1, screw
10913642	Accessory bag KS-BB-insert Schl. 84 mm no. 2, screw
10913643	Accessory bag KS-BB-insert Schl. 84 mm no. 3, screw
10913644	Accessory bag KS-BB-insert Schl. 84 mm no. 4, screw
10913645	Accessory bag KS-BB-insert Schl. 84 mm no. 5, screw
10913646	Accessory bag KS-BB-insert Schl. 84 mm no. 6, screw
10913647	Accessory bag KS-BB-insert Schl. 84 mm no. 7, screw
10913648	Accessory bag KS-BB-insert Schl. 84 mm no. 8, screw
10913649	Accessory bag KS-BB-insert Schl. 84 mm no. 9, screw
10913640	Accessory bag KS-BB-insert Schl. 84 mm no. 10, screw



Fixing rose

Fixing rose with stainless steel positioning studs, steel zinc plated

Article number	Execution
10910700.46	For unilateral fixing of counter handles with 38 mm gauge. Fixing lugs \varnothing 7 x 8 mm with M5 thread. The fixing rosette is placed with the mortise lock in the lock pocket.

Sleeves

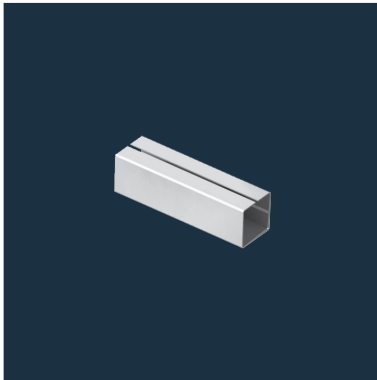


Sleeve nut

To be used for door handles (screwed through).

Steel zinc-plated, M5 inner thread with pressure-forged spindle 6,22 mm.

Article number	Execution
910251.43	10 mm
910252.43	15 mm
910254.43	20 mm
910275.43	24 mm
910120.43	30 mm
910130.43	40 mm



Adjustment sleeve 9 mm to 8 mm spindle

Use for reduction of spindles.

Steel zinc-plated, lengthwise split

Article number	Length
930351	15 mm
930363	30 mm

Adjustment sleeve 8,5 mm to 8 mm spindle

Use for reduction of spindles.

Steel zinc-plated, lengthwise split

Article number	Length
930355	28 mm

Adjustment sleeves are not allowed for fire protection handles!

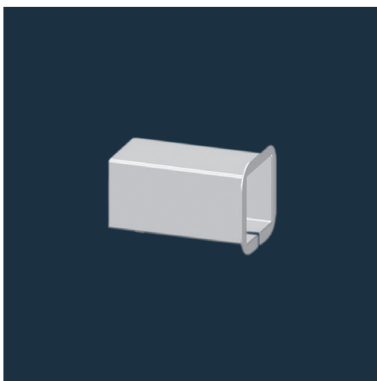
Adjustment sleeve 8 mm to 7 mm spindle

Use for reduction of spindles.

Steel zinc-plated, lengthwise split

Article number	Length
930364	15 mm

Adjustment sleeves are not allowed for fire protection handles!



Adjustment sleeve with collar 9 mm to 8 mm spindle

Use for reduction of spindles.

Steel zinc-plated, lengthwise split

Article number	Length
930372	30 mm

Adjustment sleeves are not allowed for fire protection handles!

Adjustment sleeve with collar 9 mm to 8,5 mm spindle

Use for reduction of spindles.

Steel zinc-plated, lengthwise split

Article number	Length
930362	18 mm

Adjustment sleeves are not allowed for fire protection handles!

Adjustment sleeve with collar 8,5 mm to 8 mm spindle

Use for reduction of spindles.

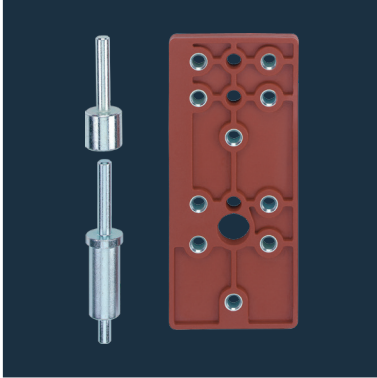
Steel zinc-plated, lengthwise split

Article number	Length
930355	28 mm

Adjustment sleeves are not allowed for fire protection handles!



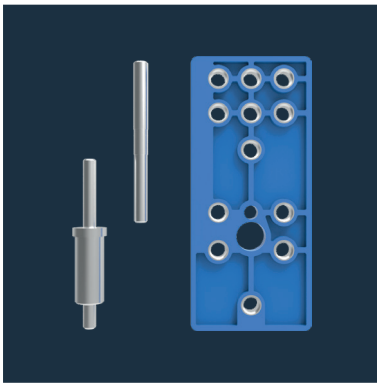
Drilling templates / Building key



Drilling template with centering pin for interior doors

Drilling template for nylon lever handle sets with roses or short / long plate according to **DIN 1906 (DIN 18 225)** in the executions BB, PZ, lever / knob or WC. With steel drill bushing for a drill diameter of 6,5 mm.

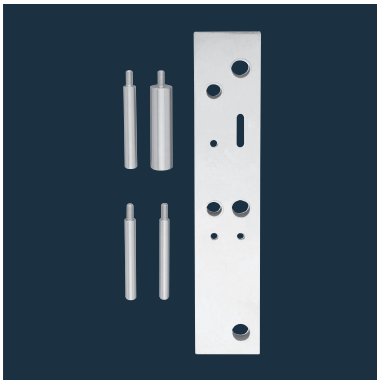
Article number	Execution
930317	Drilling template for nylon lever handles



Drilling template with centering pin for interior doors and fire-protection handles

Drilling template for stainless steel and aluminium handle sets with roses or short / long plate according to **EN 1906 (DIN 18 255 and DIN 18273)** in the executions BB, PZ, lever / knob or WC. With steel drill bushing for a drill diameter of 8,5 mm.

Article number	Execution
930318	Drilling template for stainless steel and aluminium handles



Drilling template with centering pin for security handle sets

Drilling template for security handles according to **EN 1906 (DIN 18257 und DIN 18 255)** in the executions PZ / RZ / ZA. With steel drill bushing for a drill diameter 13 mm.

Article number	Execution
930200	Drilling template for security handles



Building key

ECO-Building key with square, cylinder drive and measuring scale.

For cylinder cutout PZ. Doors and windows can be opened and closed with this "Janitor key" if the fittings have not yet been installed. Made of nylon.

- Square pin-wrench 7 - 9 mm
- Driver for locks with cylinder cutout
- With measuring scale (30 - 70 mm) for measuring the cylinder length

Article number	Execution
109700100000010	Building key RAL 7016

ECO Schulte GmbH & Co. KG
Iserlohner Landstraße 89
D - 58706 Menden

Telefon: +49 2373/9276-0
Fax: +49 2373/9276-40

info@eco-schulte.de
www.eco-schulte.de

© ECO Schulte GmbH & Co. KG - Änderungen vorbehalten
© ECO Schulte GmbH & Co. KG - Subject to change