

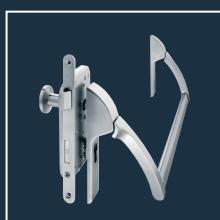
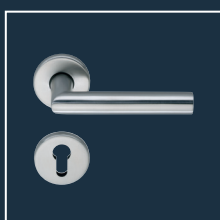
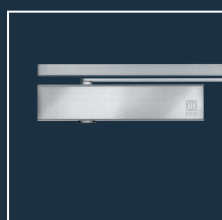


# ECO Dual locking device 2

## Product information



### ■ SYSTEM TECHNOLOGY FOR THE DOOR



System 2



**Dual locking device system 2**

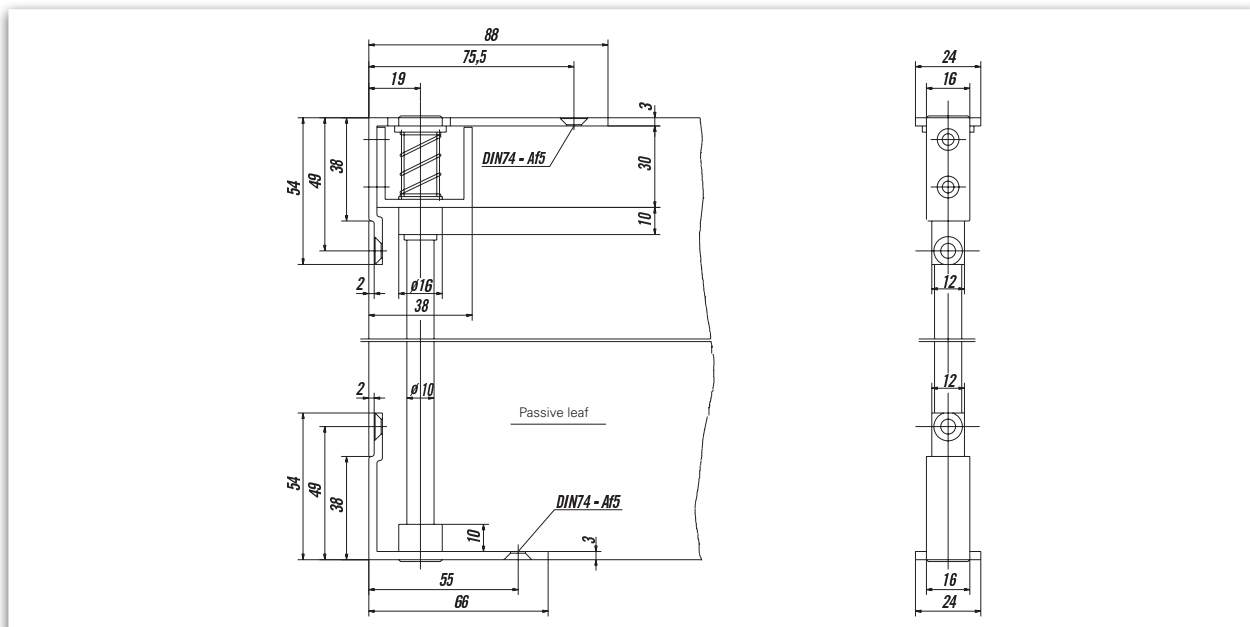
In addition to system I the top locking, the passive door leaf can also be locked at the bottom. A continuous locking bar is built into the passive door leaf in a resilient mounting.

The locking bolt presses against the locking bar which engages in the ground, securing the passive door leaf. When the active door leaf is opened, the locking bolt is pulled back and the locking bar is in its initial position. Scope of delivery included locking bar (2.500 mm).

DIN left / DIN right usable.

Taking into consideration a certification with tested fire-protection doors, this system can also be used as panic locking device.

	Article number
Dual locking device system 2	20458650000000



Dimensioning: Dual locking device system 2 with roller latch

! The dual locking device system 2 with roller latch is also available with standard latch. Please contact us if you need this execution.

ECO Schulte GmbH & Co. KG  
Iserlohner Landstraße 89  
D - 58706 Menden

Telefon: +49 2373/9276-0  
Fax: +49 2373/9276-40

[info@eco-schulte.de](mailto:info@eco-schulte.de)  
[www.eco-schulte.de](http://www.eco-schulte.de)

© ECO Schulte GmbH & Co. KG - Änderungen vorbehalten  
© ECO Schulte GmbH & Co. KG - Subject to change