

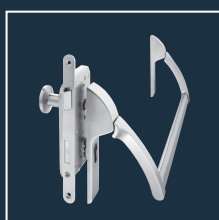
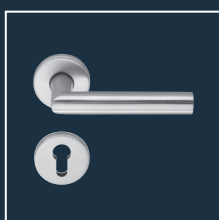
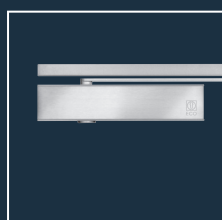


# ECO EPN 900 IV Set Oval rose

Product information



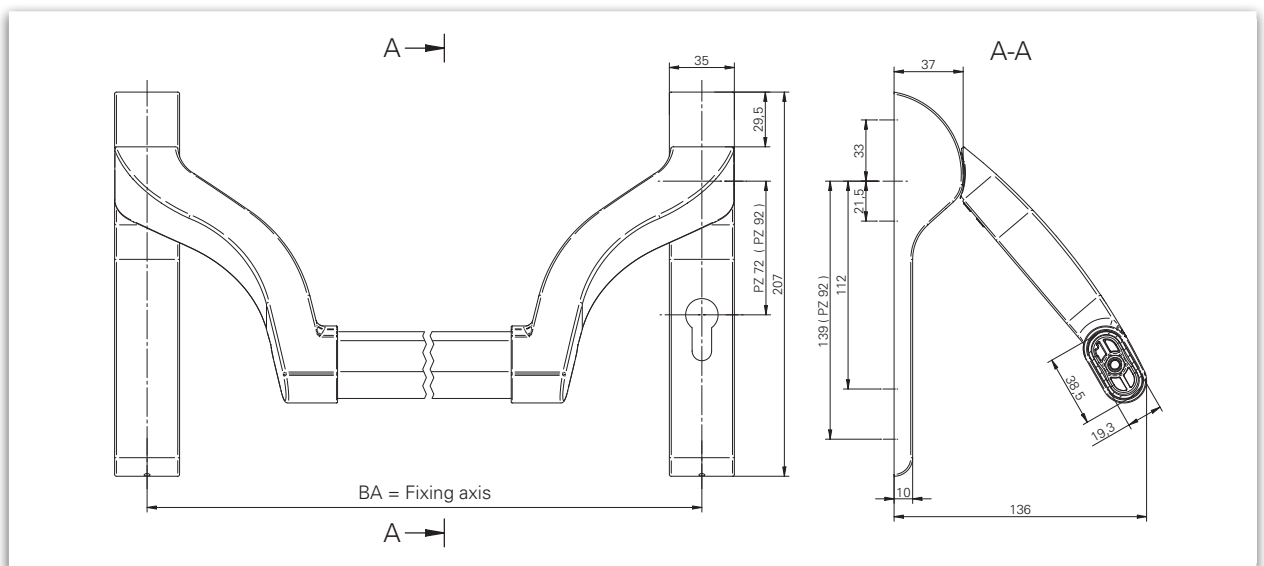
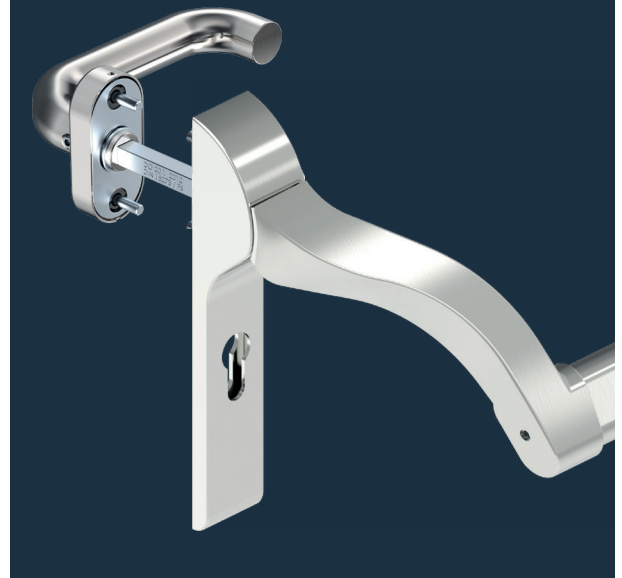
## ■ SYSTEM TECHNOLOGY FOR THE DOOR



**Product characteristics**

Mode of operation	Touchbar	-
	Pushbar	■
Finish	Stainless steel	■
	Aluminium F1 coated	■
	Colour coated	■
Grip tube	900*	■
	1.150*	■
	1.500*	□
Lock type	PZ-72	■
	PZ-92	■
	RZ-74	■
	RZ-94	■
	UG (blind)	■
DIN left / right usable		■
Suitable for the use on fire- and smoke control doors	<b>F</b>	■
Tested acc. to DIN / EN	<b>EN 1125</b>	■

■ Yes - No □ Option

**EPN 900 IV Set ■ Oval rose**


Dimensioning: EPN 900 IV with oval rose counter handle

**Description**
**EPN 900 IV Oval rose handle / Pushbar**

The arms are highly cranked and enable the use of electronic key cylinders.

This execution of tube for EPN 900 IV has especially been designed for the use with oval roses as counter hardware. The norm and drillhole distances for oval roses have been taken into consideration.

- Tested acc. to **EN 1125, EN 1634, EN 1191**
- Can be used according to **EN 1125** only in combination with tested lock and door hardware
- Arms highly cranked, suitable in particular for electronic key cylinders and short PZ distances.
- Large, stable grip tube (vandalism)

- High-strength screwing of arm and tube
- Finish:
  - Stainless steel satin brushed
  - Silver (F1)\* coated (on basis of EPN 900 IV Stainless steel)
- Gear unit: steel zinc-plated

## Set EPN 900 IV with Oval rose counter handle

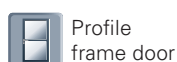


### Set consists of:

- **EPN 900 IV ER** (also available in aluminium, F1 silver coated)\*
- **Oval rose counter handle with OGL – friction bearing technology**  
Counter handle lever D-116 (PZ)  
Counter handle knob K-160 (PZ)

### Accessories

- Grip tube (see length-chart)
- Spindle has to be ordered separately



Set EPN 900 IV Stainless steel	Turning angle	EPN 900 IV	Counter handle PZ	
			D-116	K-160
PZ-72	30°	1069a1304600080	1c6864054600010	1c6860104600010
	40°	1069a1404600080		
	45°	1069a1454600080		
PZ-92	30°	1069a2304600080		
	40°	1069a2404600080		
	45°	1069a2454600080		

Further versions and handle types on request.

### Accessories



Gript tube ER	Fixing axis (BA) max.	Article number
900 mm	1.067 mm	109506604600070
1.150 mm	1.317 mm	109506614600070
1.500 mm	1.669 mm	109506644600070

The grip tube has to be ordered separately!



Please see our notes

ECO Schulte GmbH & Co. KG  
Iserlohner Landstraße 89  
D - 58706 Menden

Telefon: +49 2373/9276-0  
Fax: +49 2373/9276-40

[info@eco-schulte.de](mailto:info@eco-schulte.de)  
[www.eco-schulte.de](http://www.eco-schulte.de)

© ECO Schulte GmbH & Co. KG - Änderungen vorbehalten  
© ECO Schulte GmbH & Co. KG - Subject to change