

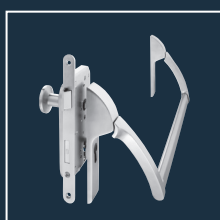
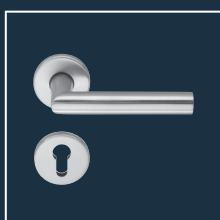


ECO EPN 900 IV Set Security profile frame

Product information

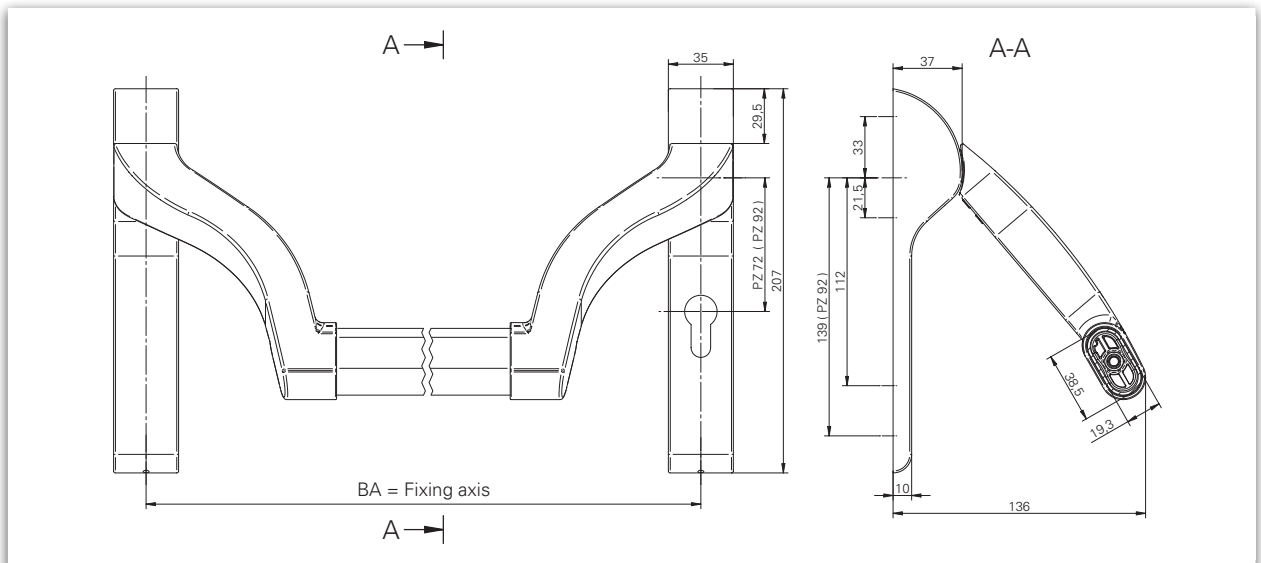


■ SYSTEM TECHNOLOGY FOR THE DOOR



Product characteristics		
Mode of operation	Touchbar	-
	Pushbar	■
Finish	Stainless steel	■
	Alu. F1 coated	-
	Colour coated	-
Grip tube	900*	■
	1.150*	■
	1.500*	□
Lock type	PZ-72	■
	PZ-92	■
	RZ-74	■
	RZ-94	■
	UG (blind)	■
DIN left / right usable		■
Suitable for the use on fire- and smoke control doors	F	■
Tested acc. to DIN / EN	EN 1125	■

■ Yes - No □ Option

EPN 900 IV Set ■ Security profile frame


Dimensioning: EPN 900 IV with security profile frame counter handle

Description
EPN 900 IV Security handle profile frame / Pushbar

The arms are highly cranked and enable the use of electronic key cylinders.

This execution of tube for EPN 900 IV has especially been designed for the use with security handles for profile frame doors as counter hardware. The norm and drillhole distances for security handles for profile frame doors as counter hardware have been taken into consideration

- Tested acc. to **EN 1125, EN 1634, EN 1191**
- Can be used according to **EN 1125** only in combination with tested lock and door hardware
- Suitable for the use on fire- and smoke control doors according testing
- DIN left / right usable
- Arms highly cranked, suitable in particular for electronic key cylinders and short PZ distances.
- Large, stable grip tube (vandalism)
- High-strength screwing of arm and tube
- Finish:
 - Stainless steel satin brushed
 - Silver (F1)* coated (on basis EPN 900 IV Stainless steel)
 - Stahl zinc-plated and silver (F1)* coated
- Gear unit: steel zinc-plated

Set EPN 900 IV with Security profile frame counter handle

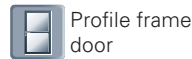


Set consists of:

- **EPN 900 IV ER** (also available in aluminium, F1 silver coated)*
- **Security counter handle for profile frame with OGL - friction bearing technology**
 - Counter handle lever D-116 (PZ or ZA)
 - incl. additional screwing M8
 - Counter handle knob K-160 (PZ or ZA)
 - incl. additional screwing M8

Accessories

- Screw bag set (please mention door thickness)
- Grip tube (see length-chart)
- Spindle has to be ordered separately



Set EPN 900 IV Stainless steel	Turning angle	EPN 900 IV	Counter handle PZ / 14 mm		Counter handle ZA / 14 mm	
			D-116	K-160	D-116	K-160
PZ-72	30°	1069a1304601080	106941004600015	106943004600015	106941504600015	106943504600015
	40°	1069a1404601080				
	45°	1069a1454601080				
PZ-92	30°	1069a2304601080	106941014600015	106943014600015	106941514600015	106943514600015
	40°	1069a2404601080				
	45°	1069a2454601080				

Further versions and handle types on request.

Accessories



Grip tube ER	Fixing axis (BA) max.	Article number
900 mm	1.067 mm	109506604600070
1.150 mm	1.317 mm	109506614600070
1.500 mm	1.669 mm	109506644600070

The grip tube has to be ordered separately.



Please see our notes

ECO Schulte GmbH & Co. KG
Iserlohner Landstraße 89
D - 58706 Menden

Telefon: +49 2373/9276-0
Fax: +49 2373/9276-40

info@eco-schulte.de
www.eco-schulte.de

© ECO Schulte GmbH & Co. KG - Änderungen vorbehalten
© ECO Schulte GmbH & Co. KG - Subject to change