



PRODUCT INFORMATION

ECO HORIZON PROJECT HINGES
OBX-20-1532/160-FD

■ SYSTEM TECHNOLOGY FOR THE DOOR

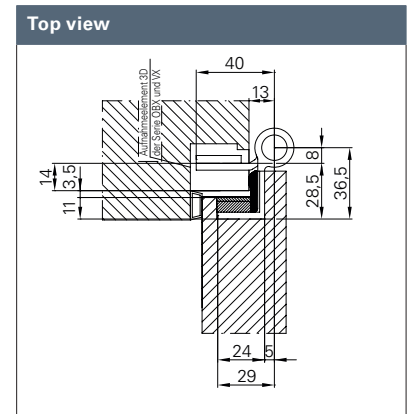
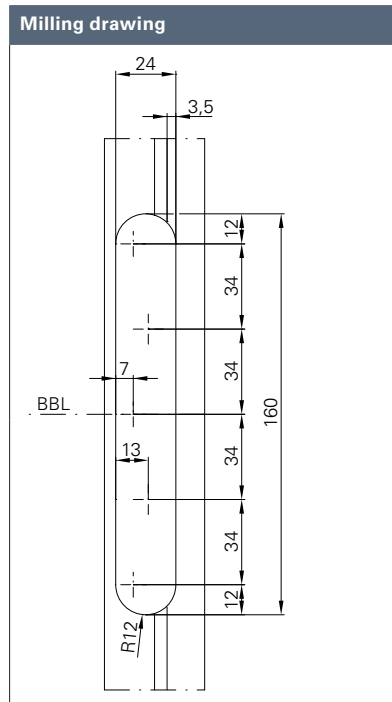
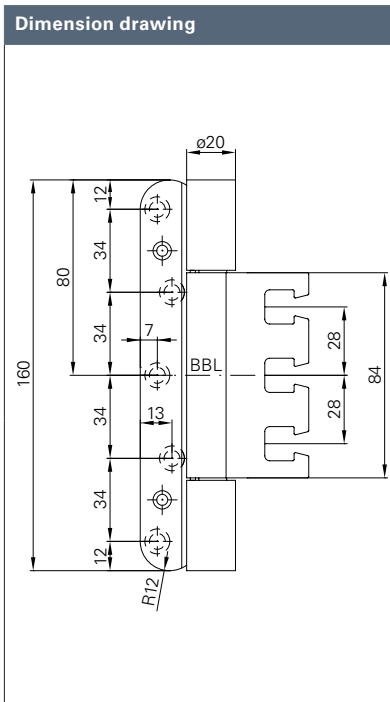




Product characteristics

Size	160 mm	
Ø Barrel diameter	20 mm	
Material thickness	3,5 mm	
Screws	5 x 50 mm	
DIN left / DIN right	■	
Milling diameter	24 mm	
Milling length	160 mm	
Milling depth	11 mm	
Door types	rebated	■
	unrebated	-
Frame types	Wood	■
	Steel	■
	Aluminium	■
Suitable for fire doors	F	■
Loading capacity class 14 (door weight)	EN 1935 CE	■
	acc. to Norm	160 kg
ECO loading capacity	300 kg	
Material	Stainless steel (ER)	■
Finishes	ER polished	□
	PVD coating (brass)	□
	Coating in RAL colours	□
Reception elements	For upright standing pillars	OBX-3001-3D
	For timber frames	OBX-3002-3D
	For steel frames	OBX-3011-3D
		OBX-3012-3D
	For aluminium frames	OBX-3021-3D

■ Yes - No □ On request



optionally available as version with lifting lugs



ECO

PRODUCT FAMILY ■ FOR MORTISE REBATED DOOR 3D HINGE



OBX-20-1531/160.ER
OBX-20-1531/120.ER



OBX-20-1532/120-FD.ER



OBX-20-1951/160.ER
OBX-20-1951/120.ER



Description

ECO Horizon project hinge OBX-20-1532/160-FD

- For rebated doors on wooden, steel or aluminium frames
- With OBX adjustable frame box adjustable in three dimensions
- Inner, firmly rotating axis, therefore no pin protection required
- Wear and maintenance-free ball bearing technology
- Suitable for fire doors
- Can be used DIN left / DIN right without modification
- EN 1935: Class 14 / 160 kg



EN 1935



Wooden door

OBX-20-1532/160-FD for mortise rebated door 3D hinge	Dimensions	Art-No.
OBX-20-1532/160-FD.ER	Ø 20 x 160 mm	5030007527

ECO **Schulte GmbH & Co. KG**

Iserlohner Landstraße 89

D-58706 Menden

Telephone +49 2373 9276 - 0

Telefax +49 2373 9276 - 40

info@eco-schulte.de

www.eco-schulte.de

■ SYSTEM TECHNOLOGY FOR THE DOOR

