



PRODUCT INFORMATION

ECO HORIZON PROJECT HINGES
OBX-20-2542/160

■ SYSTEM TECHNOLOGY FOR THE DOOR

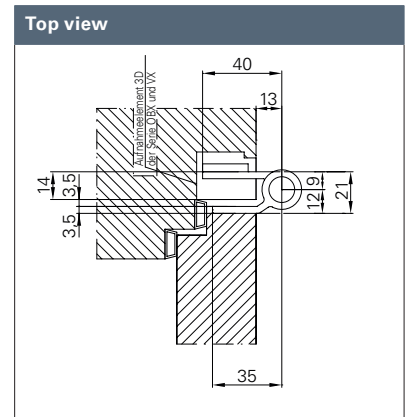
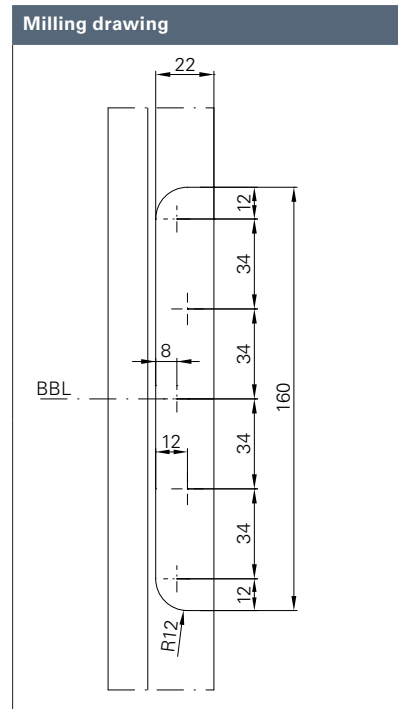
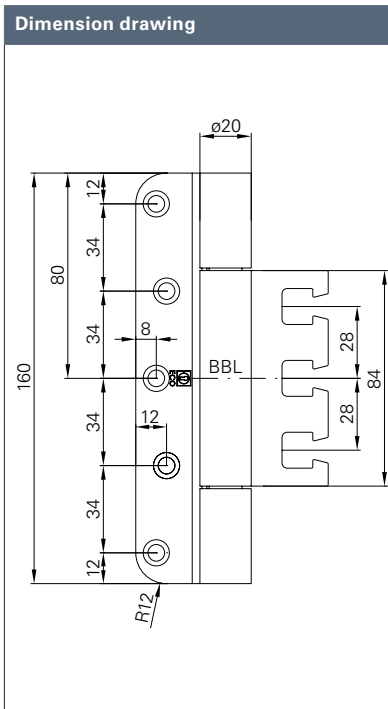




Product characteristics

Size	160 mm	
Ø Barrel diameter	20 mm	
Material thickness	3,5 mm	
Screws	5 x 50 mm	
DIN left / DIN right	■	
Milling diameter	24 mm	
Milling length	160 mm	
Milling depth	3,5 mm	
Door types	unrebated	■
	Double rebated	■
Frame types	Wood	■
	Steel	■
	Aluminium	■
Suitable for fire doors	F	■
Loading capacity class 14 (door weight)	EN 1935 CE	■
	acc. to Norm	160 kg
	ECO loading capacity	300 kg
Material	Stainless steel (ER)	■
Finishes	ER polished	□
	PVD coating (brass)	□
	Coating in RAL colours	□
Reception elements	For upright standing pillars	OBX-3001-3D
	For timber frames	OBX-3002-3D
	For steel frames	OBX-3011-3D OBX-3012-3D
	For aluminium frames	OBX-3021-3D

■ Yes - No □ On request



optionally available as version with lifting lugs



ECO

PRODUCT FAMILY ■ FOR MORTISE FLUSH DOOR 3D HINGE



OBX-20-2541/160.ER
OBX-20-2541/120.ER



OBX-20-2542/120.ER



Description

ECO Horizon project hinge OBX-20-2542/160

- For unrebated doors on wooden, steel or aluminium frames
- With OBX adjustable frame box adjustable in three dimensions
- Inner, firmly rotating axis, therefore no pin protection required
- Wear and maintenance-free ball bearing technology
- Suitable for fire doors
- Can be used DIN left / DIN right without modification
- EN 1935: Class 14 / 160 kg

F **EN 1935** **CE** **ER** Wooden door

OBX-20-2542/160 for mortise flush door 3D hinge	Dimensions	Art-No.
OBX-20-2542/160.ER	Ø 20 x 160 mm	5030007558



ECO Schulte shows attention to detail by brushing the surface of the stainless steel hinges lengthwise. Thus, the brushing pattern perfectly matches the handle sets delivered by ECO.

ECO **Schulte GmbH & Co. KG**

Iserlohner Landstraße 89

D-58706 Menden

Telephone +49 2373 9276 - 0

Telefax +49 2373 9276 - 40

info@eco-schulte.de

www.eco-schulte.de

■ SYSTEM TECHNOLOGY FOR THE DOOR

