

# PRODUCT INFORMATION

ECO COVER PLATES  
OBX-3096

■ SYSTEM TECHNOLOGY FOR THE DOOR



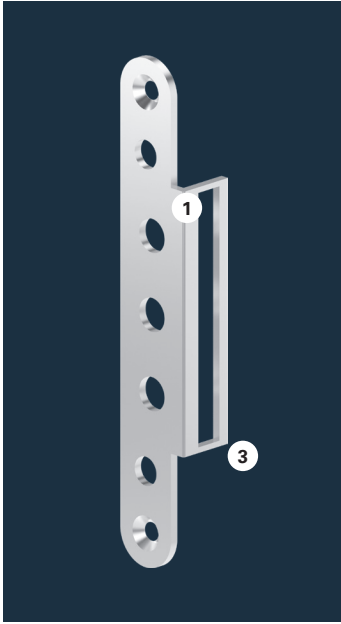
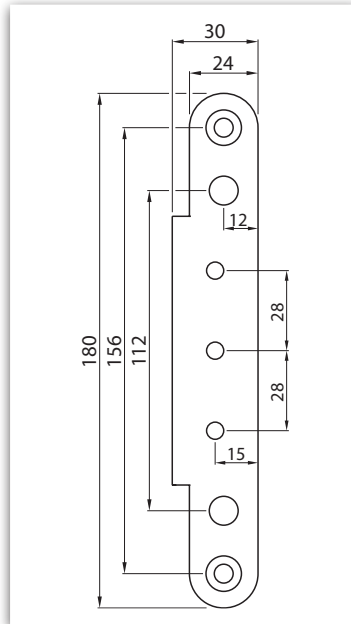
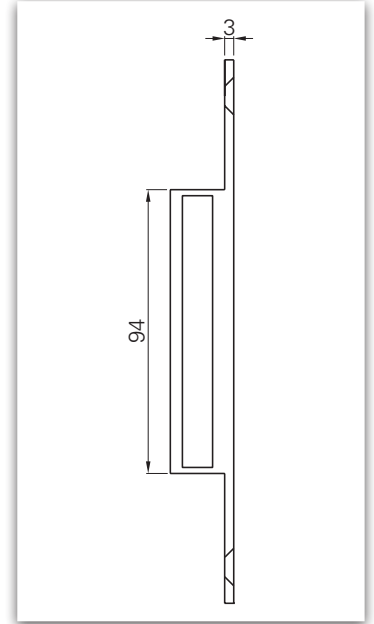


Illustration: Cover plate OBX-3096



Dimension: Cover plate OBX-3096



Dimension: Cover plate OBX-3096

OBX-3096	Material	Angle - Ending	Art-No.
OBX-3096.ER	ER	Square - square	5030016571

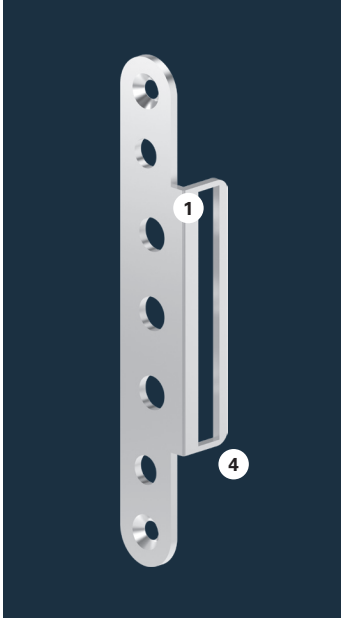
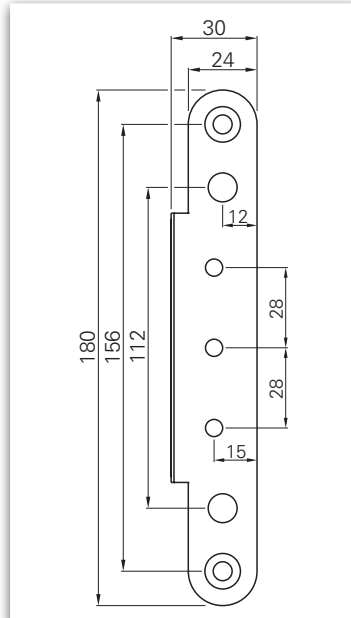
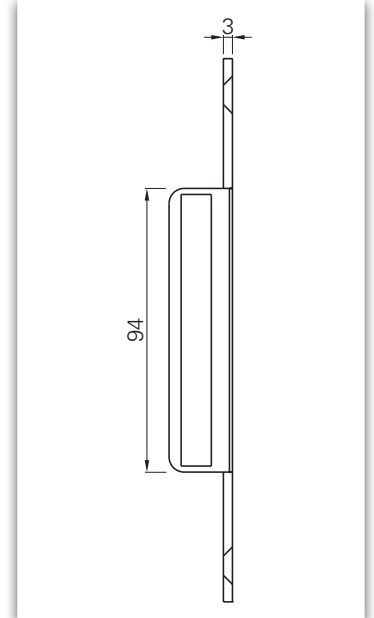


Illustration: Cover plate OBX-3097



Dimension: Cover plate OBX-3097



Dimension: Cover plate OBX-3097

OBX-3097	Material	Angle - Ending	Art-No.
OBX-3097.ER	ER	Square - round	5030016578

- ① square angle
- ② round angle

- ③ square ending
- ④ round ending



### Cover plates for adjustable frame boxes OBX

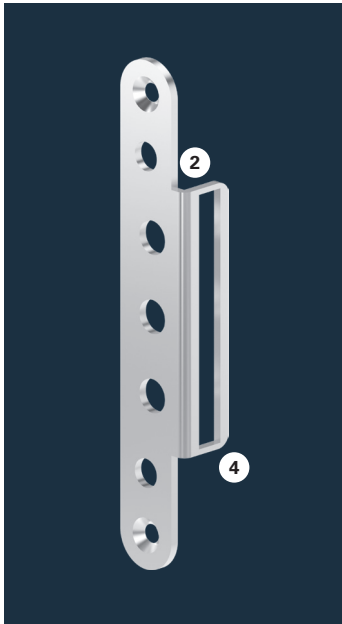
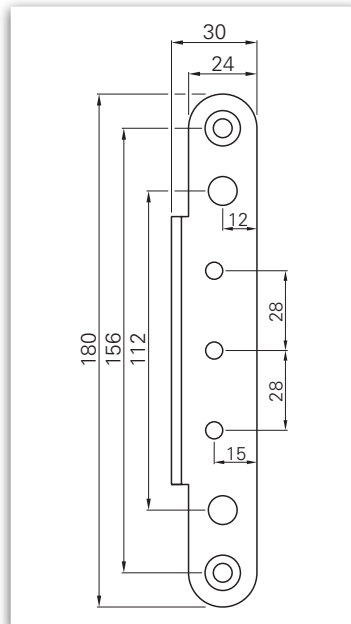
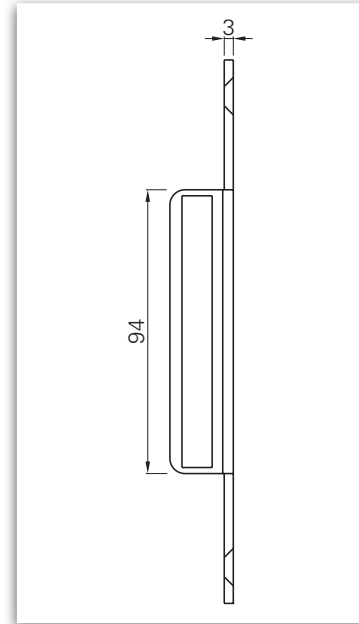


Illustration: Cover plate OBX-3098



Dimension: Cover plate OBX-3098



Dimension: Cover plate OBX-3098

OBX-3098	Material	Angle · Ending	Art-No.
OBX-3098.ER	ER	Round - round	5030016578

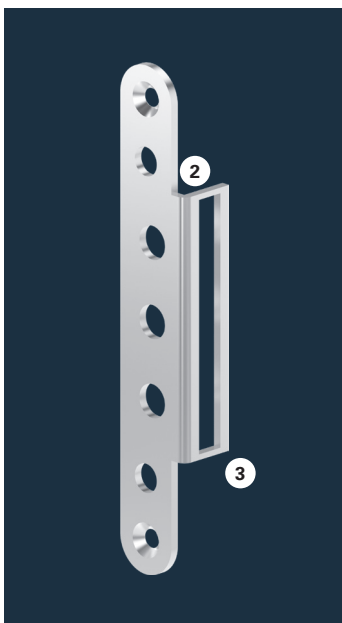
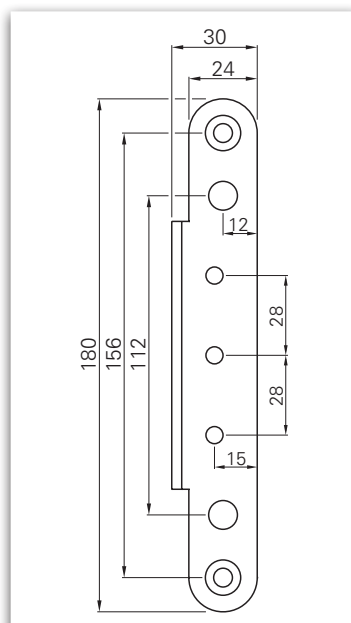
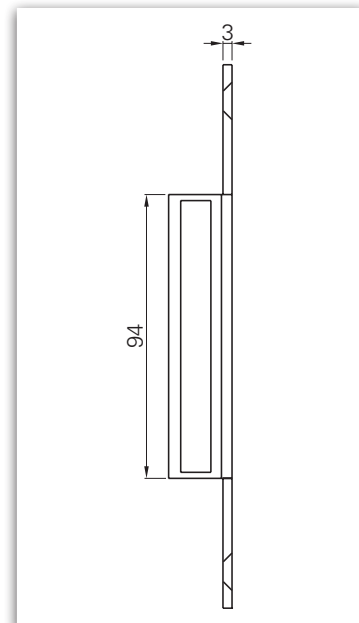


Illustration: Cover plate OBX-3099



Dimension: Cover plate OBX-3099



Dimension: Cover plate OBX-3099

OBX-3099	Material	Angle · Ending	Art-No.
OBX-3099.ER	ER	Round - square	5030013490

- ① square angle
- ② round angle

- ③ square ending
- ④ round ending

**ECO Schulte GmbH & Co. KG**

Iserlohner Landstraße 89

D-58706 Menden

Telephone +49 2373 9276 - 0

Telefax +49 2373 9276 - 40

[info@eco-schulte.de](mailto:info@eco-schulte.de)

[www.eco-schulte.de](http://www.eco-schulte.de)

■ SYSTEM TECHNOLOGY FOR THE DOOR

