

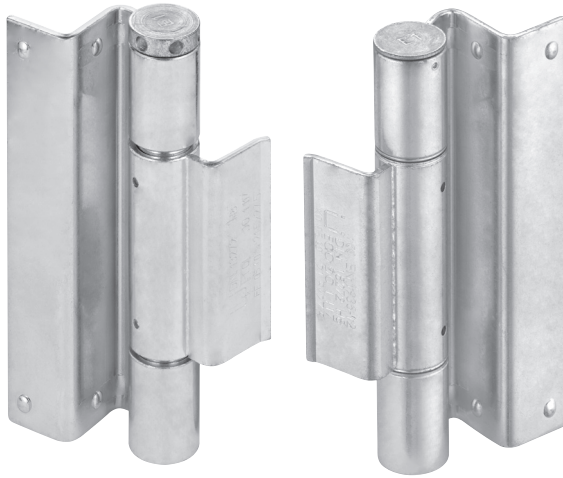
PRODUCT INFORMATION

LASER-WELDED STEEL HINGES
ECO-STANDARDSET – 3 mm

■ SYSTEM TECHNOLOGY FOR THE DOOR

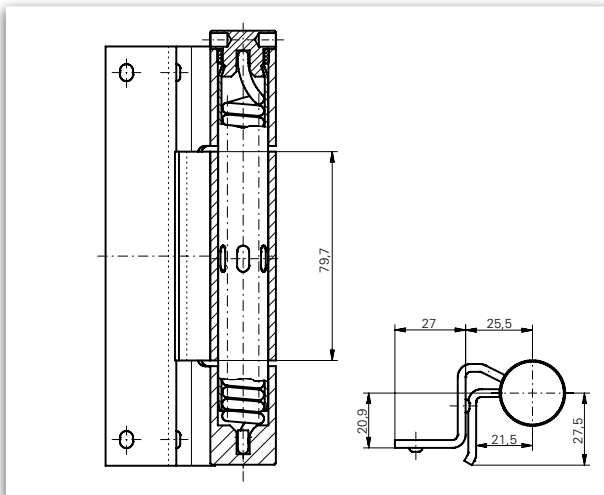


Standard-SET

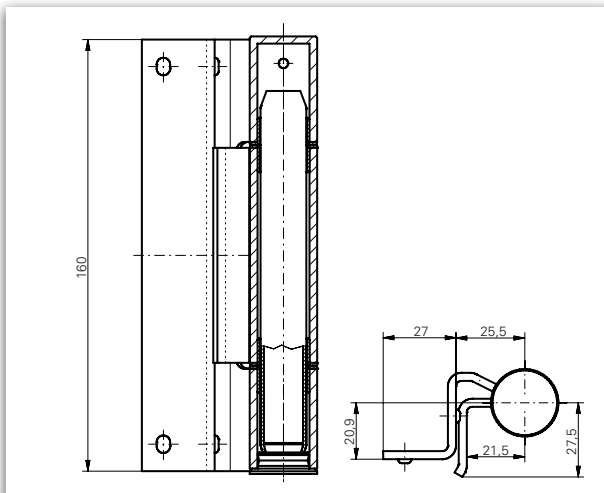


Product characteristics		
Size		160 mm
Ø Barrel diameter		25 mm
Material thickness		3 mm
DIN left / DIN right		■
Frame type	Steel	■
Suitable for fire doors	F	■
Loading capacity Class 12 (maximum door load)	Hinge with spring max.	80 kg
	KO hinge EN 1935 acc. to Norm DIN 18 272 *	100 kg
Finishes	Steel zinc plated frame - and door parts	■
Hinge type	Three-part standard hinge, laser-welded	
Bearing technology	Washed bearing	-
	Ball bearing	■
Fixing	Welded to the door frame screwed to the casement frame	

■ Yes - No *According to



Hinge with spring



KO hinge

ECO-Standard hinge to be welded

three-part standard hinge to be welded on, (3 mm) EN 1935: Class 12 / 80 (100) kg

Description: ECO spring hinge / KO hinge set.

Spring hinge: based on **DIN 18272**

KO-hinge: acc. **EN 1935**

Mounting: Easy mounting of the hinge parts with the help of the hinge bolt.

Usage: For the use in doors with requirements in regards to smoke- and fire protection as well as in emergency and escape exits. As construction hinge set (KO) also suitable for heavy doors.

Laser-welded steel hinges ■ Standard hinge ■ 3 mm



F **DIN 18 272**

 Steel door

ECO Standard	Material	Material thickness	Dimensions	Art-No.
Hinge with spring / KO hinge	St.Zk	3 mm	Ø 25 x 160 mm	on request



F **DIN 18 272**

 Steel door

ECO Standard	Material	Material thickness	Dimensions	Art-No.
Hinge with spring	St.Zk	3 mm	Ø 25 x 160 mm	on request



F **EN 1935** **DIN 18 272**

 Steel door

ECO Standard	Material	Material thickness	Dimensions	Art-No.
KO hinge	St.Zk	3 mm	Ø 25 x 160 mm	on request

ECO Schulte GmbH & Co. KG

Iserlohner Landstraße 89

D-58706 Menden

Telephone +49 2373 9276 - 0

Telefax +49 2373 9276 - 40

info@eco-schulte.de

www.eco-schulte.de

■ SYSTEM TECHNOLOGY FOR THE DOOR

