

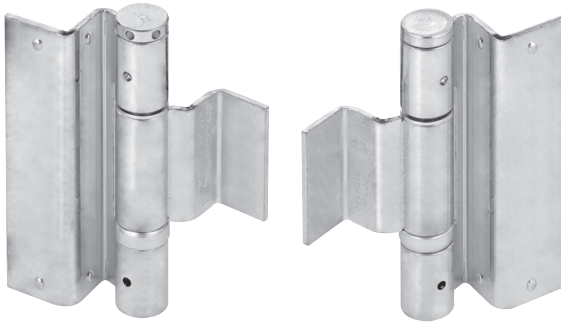
PRODUCT INFORMATION

LASER-WELDED STEEL HINGES
ECO-STANDARDSET – 4 mm

■ SYSTEM TECHNOLOGY FOR THE DOOR

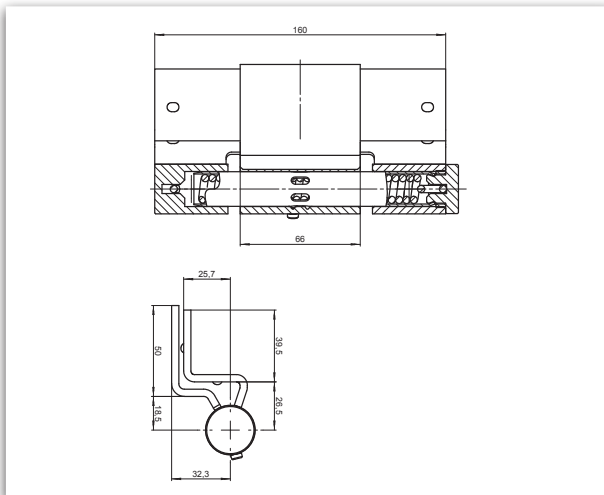


Standard-SET

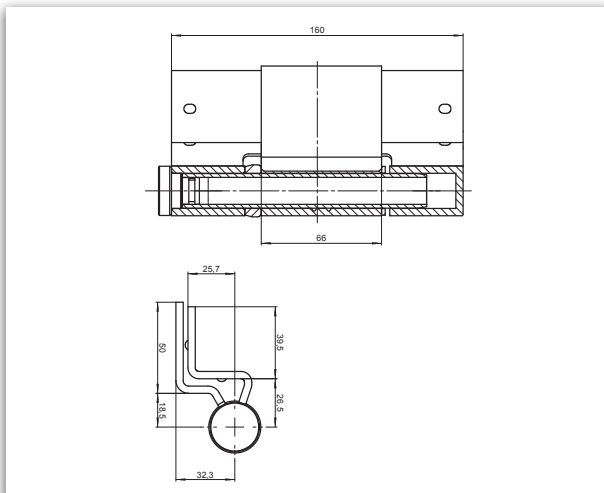


| Product characteristics | | |
|-----------------------------------------------|-----------------------------------------------------------|--------|
| Size | | 160 mm |
| Ø Barrel diameter | | 27 mm |
| Material thickness | | 4 mm |
| DIN left / DIN right | | ■ |
| Frame type | Steel | ■ |
| Suitable for fire doors | F | ■ |
| Loading capacity Class 12 (maximum door load) | Hinge with spring max. | 80 kg |
| | KO hinge EN 1935 acc. to Norm DIN 18 272 | 100 kg |
| Finishes | Steel zinc plated frame - and door parts | ■ |
| Hinge type | Three-part standard hinge, laser-welded | |
| Bearing technology | Washed bearing | - |
| | Ball bearing | ■ |
| Fixing | Welded to the door frame screwed to the casement frame | |

■ Yes - No *According to



Hinge with spring



KO hinge

ECO-Standard hinge to be welded

three-part standard hinge to be welded on, (4 mm) EN 1935: Class 13 / 80 (120) kg

Description: ECO spring hinge / KO hinge set

Spring hinge: based on **DIN 18272**

KO-hinge: acc. **EN 1935**

Mounting: Easy mounting of the hinge parts with the help of the hinge bolt.

Usage: For the use in doors with requirements in regards to smoke and

fire protection as well as in emergency and escape exits. As construction hinge set (KO) also suitable for heavy doors.

Laser-welded steel hinges ■ Standard hinge ■ 4 mm



F **DIN 18 272**

 Steel door

| ECO Standard | Material | Material thickness | Dimensions | Art-No. |
|-------------------------------------|----------|--------------------|---------------|------------|
| Hinge with spring / KO hinge | St.Zk | 4 mm | Ø 27 x 160 mm | on request |



F **DIN 18 272**

 Steel door

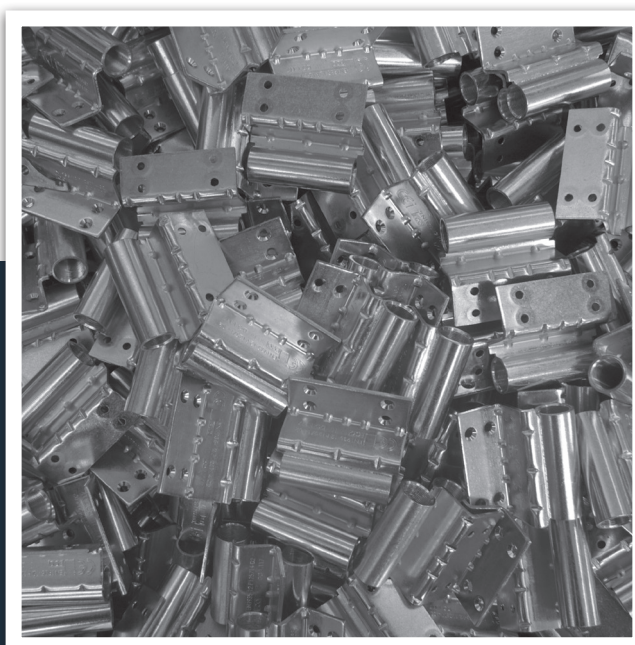
| ECO Standard | Material | Material thickness | Dimensions | Art-No. |
|--------------------------|----------|--------------------|---------------|------------|
| Hinge with spring | St.Zk | 4 mm | Ø 27 x 160 mm | on request |



F **EN 1935**

 Steel door

| ECO Standard | Material | Material thickness | Dimensions | Art-No. |
|-----------------|----------|--------------------|---------------|------------|
| KO hinge | St.Zk | 4 mm | Ø 27 x 160 mm | on request |



ECO Schulte GmbH & Co. KG

Iserlohner Landstraße 89

D-58706 Menden

Telephone +49 2373 9276 - 0

Telefax +49 2373 9276 - 40

info@eco-schulte.de

www.eco-schulte.de

■ SYSTEM TECHNOLOGY FOR THE DOOR

