

# PRODUCT INFORMATION

ECO HINGES ■ ACCESSORIES

■ SYSTEM TECHNOLOGY FOR THE DOOR





ECO

## Lifting lug

---

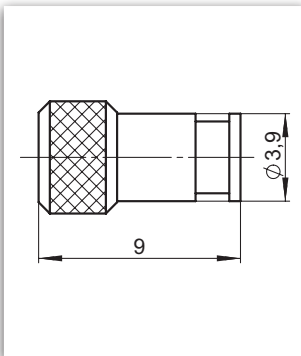
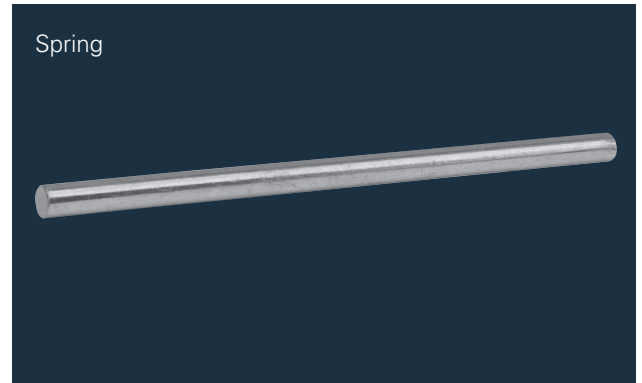
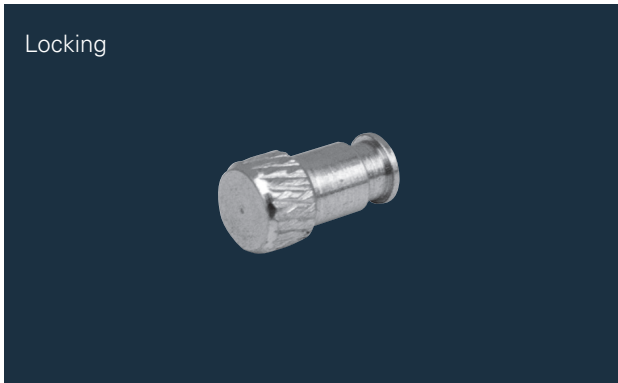


Illustration: Lifting lug OBX-6012 Steel zinc plated

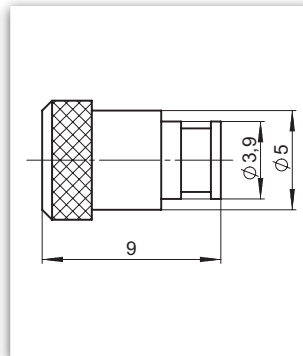
### Lifting lug

The use of lifting lugs is recommended for additional stabilization of the hinge - depending on use, construction and load of the door. Lifting lugs relieve the fixing screws and stabilize the hinge parts in the door frame. The lifting lugs transfer the forces into the stabilized door frame so the forces can be better absorbed. The lifting lug is only stabilizing, not increasing the loading capacity.

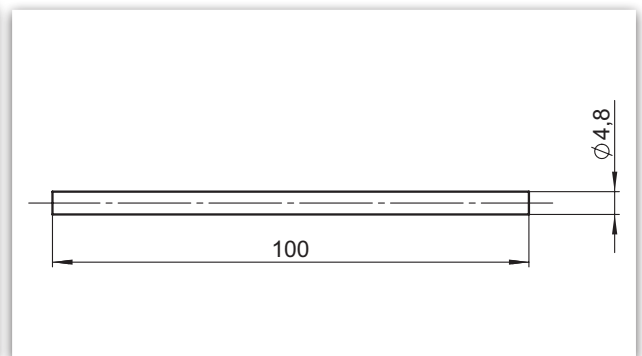
Lifting lug in order to stabilize the hinge	Material	Master gauge	Art-No.
Lifting	St.Zk	for 7 point master gauge for holes	5030016606



Locking pin 3 mm  
for 3 mm hinge with spring set



Locking pin 4 mm  
for 4 mm hinge with spring set



Spring pin 3/4 mm

Locking	Material	Art-No.
<b>Locking pin 3 mm</b>	St.Zk	on request

Spring pin 3/4 mm	Material	Art-No.
<b>Spring pin 3/4 mm</b>	St.Zk	on request

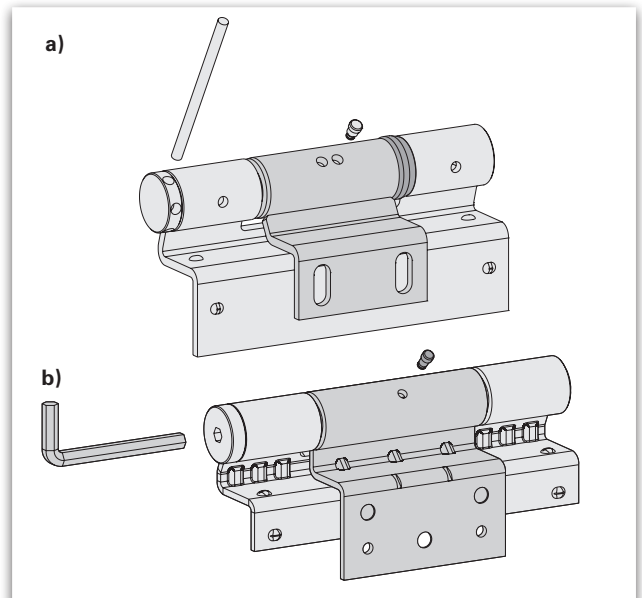
Locking	Material	Art-No.
<b>Locking pin 4 mm</b>	St.Zk	on request

### Tensioning and fixing of spring hinges

Fire-protection doors are equipped with one spring hinge and one KO hinge. In order to dismantle the door leaf, the hinge bolts have to be expelled to the door centre. When spring hinge is on tension, the locking pin has to be removed first.

If you want to put tension on the spring hinge, with the door closed, you have to enter

- a) the spring pin in one of the drill holes or
- b) an Allen key SW6 in the hexagon socket of the spring hinge head. Turning the split pin away from the door leaf puts tension on the spring. Putting the locking pin into one of the drill holes of the middle hinge roll, holds the position. The pre-tension has to be adjusted in that way that the door leaf is closing independently from an opening angle of approx. 30°.



ECO Schulte GmbH & Co. KG

Iserlohner Landstraße 89

D-58706 Menden

Telephone +49 2373 9276 - 0

Telefax +49 2373 9276 - 40

[info@eco-schulte.de](mailto:info@eco-schulte.de)

[www.eco-schulte.de](http://www.eco-schulte.de)

■ SYSTEM TECHNOLOGY FOR THE DOOR

