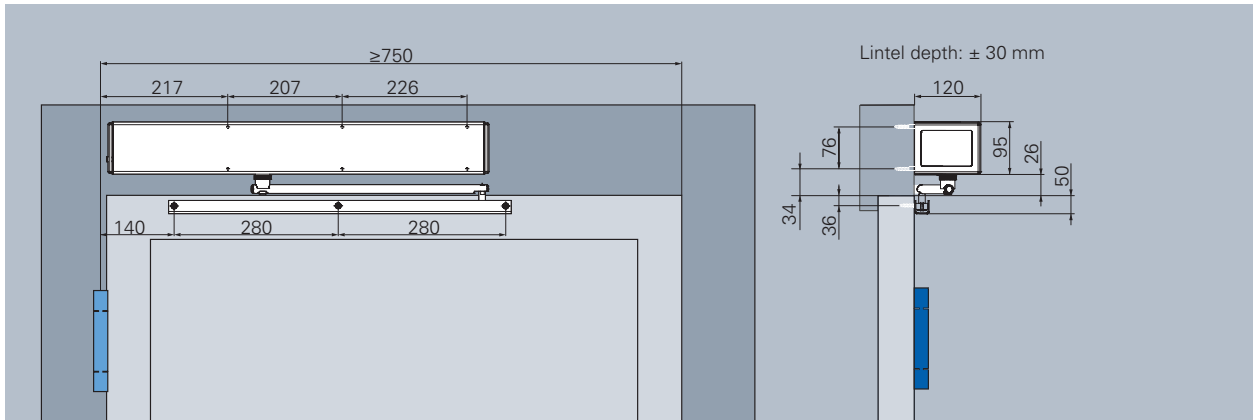
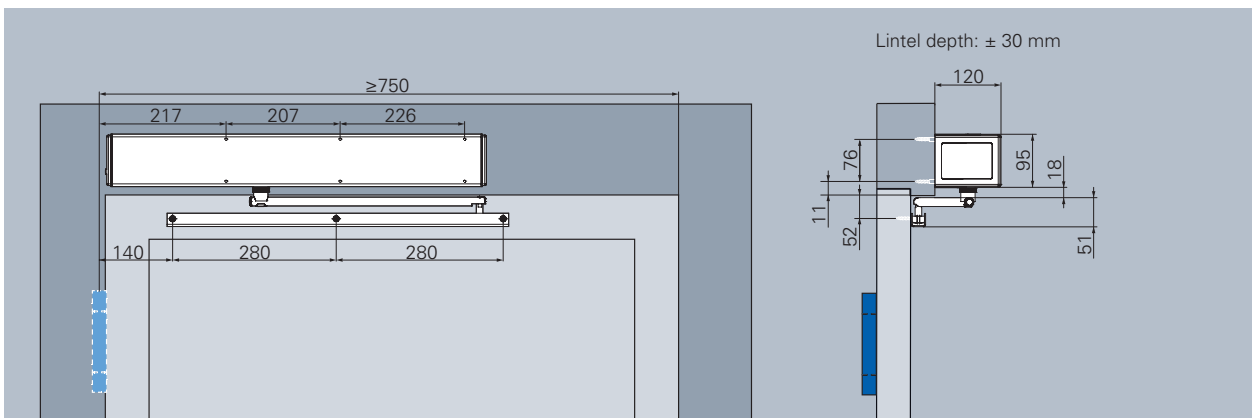


Installation drawing ETS 73 single leaf



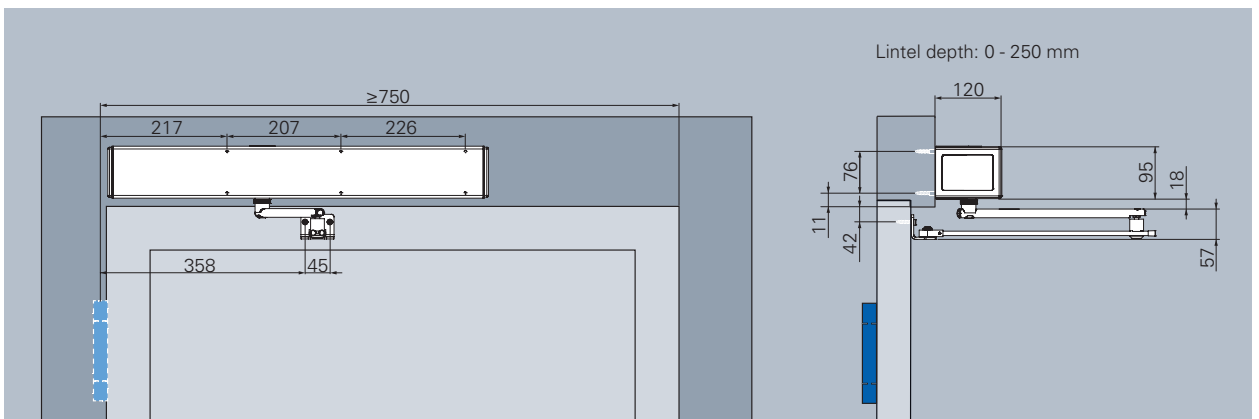
ETS 73 Head mounting hinge side with slide rail (pull)

With KS-13 axle pin and long sliding bolt (included in the delivery)



ETS 73 Head mounting hinge-opposite side with slide rail (push)

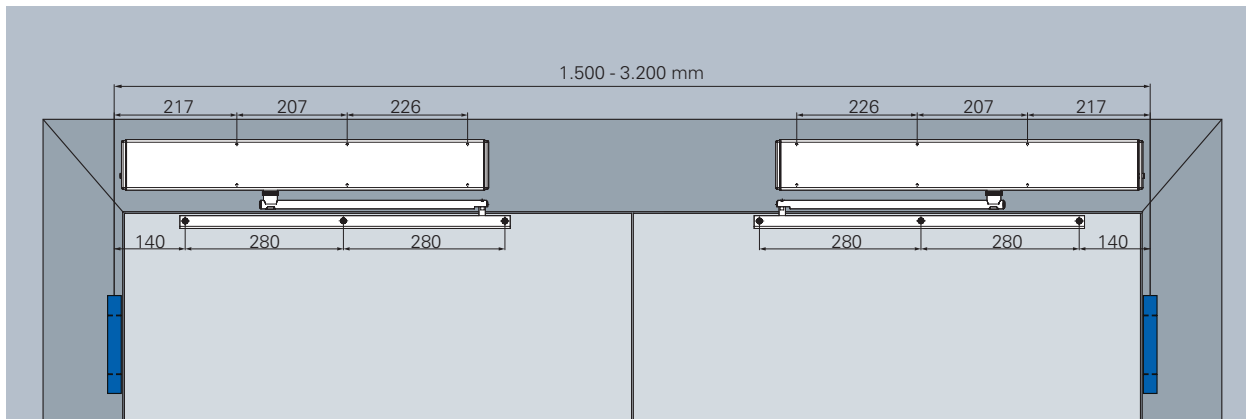
With standard axle pin and short sliding bolt.



ETS 73 Head mounting hinge-opposite side with standard arm (push)

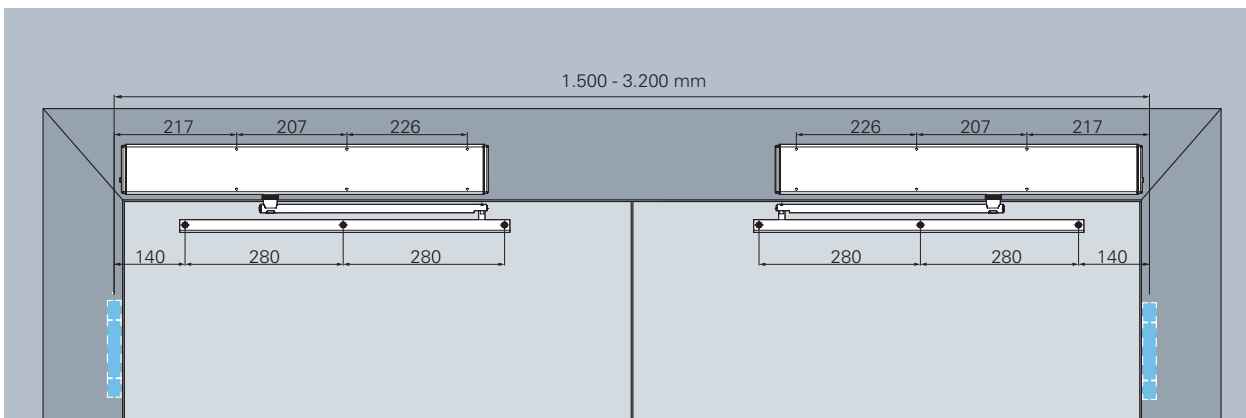
With standard axle pin.

Installation drawing ETS 73 double leaf



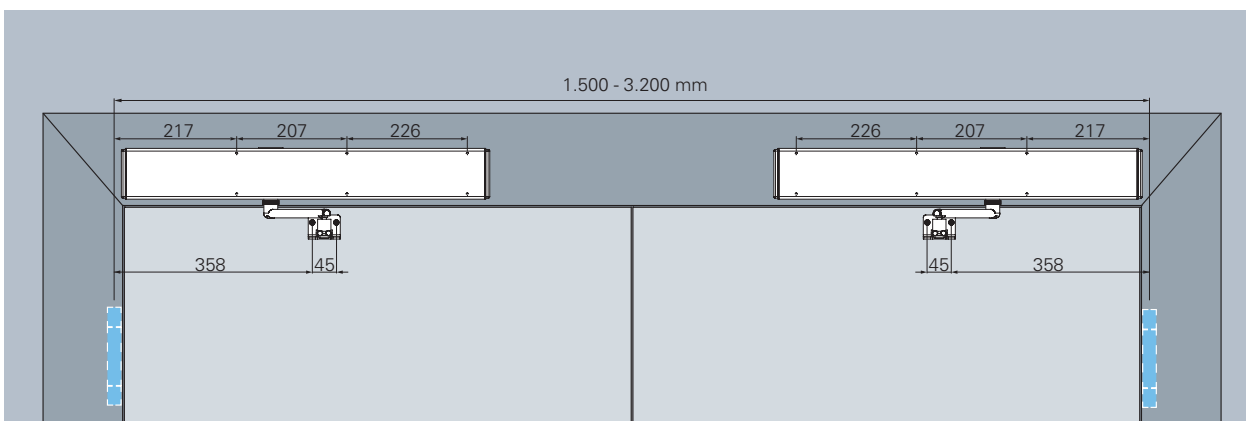
ETS 73 Head mounting hinge side with slide rail (pull)

With KS-13 axle pin and long sliding bolt (included in the delivery)



ETS 73 Head mounting hinge-opposite side with slide rail (push)

With standard axle pin and short sliding bolt.



ETS 73 Head mounting hinge-opposite side with standard arm (push)

With standard axle pin.

ECO Schulte GmbH & Co. KG
Iserlohner Landstraße 89
D - 58706 Menden

Telefon: +49 2373/9276-0
Fax: +49 2373/9276-40

info@eco-schulte.de
www.eco-schulte.de

© ECO Schulte GmbH & Co. KG - Änderungen vorbehalten
© ECO Schulte GmbH & Co. KG - Subject to change